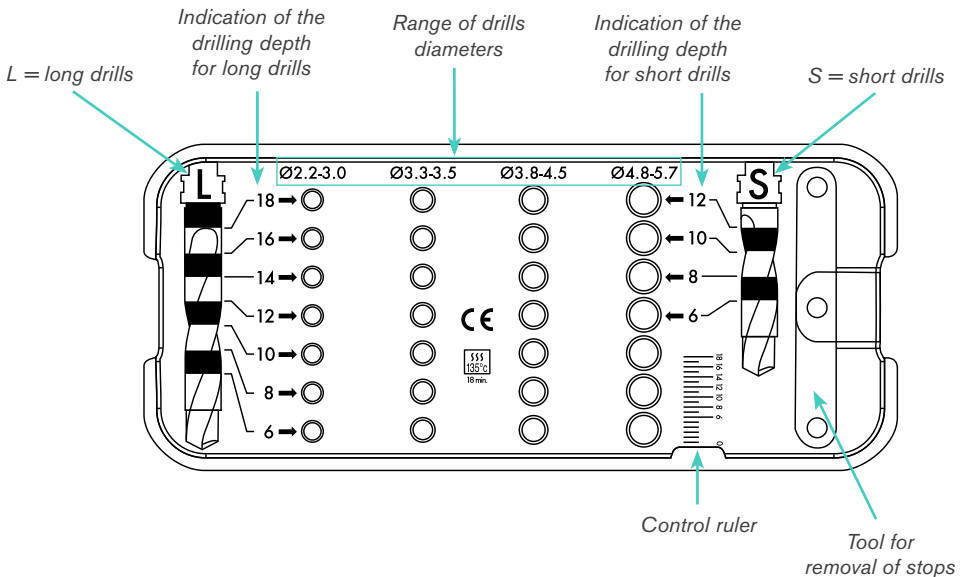


Drill stop kit

To secure and simplify your drilling process!

Ref.
KBU_00

- Universal kit: can be used with all implant ranges with direct driver.
- 28 stops for short and long drills (drills from $\varnothing 2.2$ to $\varnothing 5.7$ mm).
- Grasping of stops directly with contra-angle.
- Colour coding for easy identification of stops according to the implant to be fitted.
- Small size.
- Can be sterilised in an autoclave.

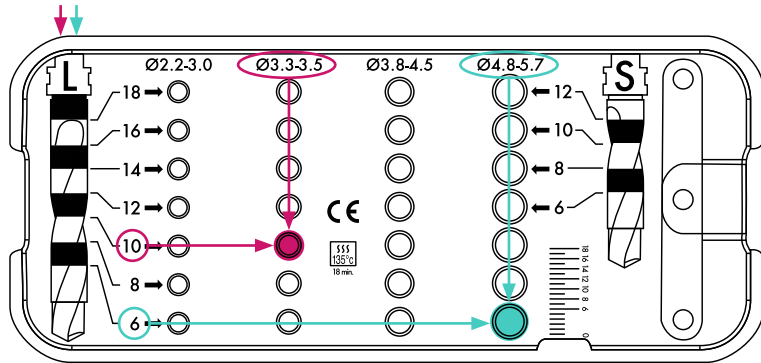


Tutorial

Example of use for long drill

Scenario 1: use of long drill 2.8 / 3.3 and placement of a 10 mm long implant

Scenario 2: use of long drill 4.3 / 4.8 and placement of a 6 mm long implant



Example of use for short drill

Scenario 3: use of short drill 2.2 / 2.8 and placement of a 10 mm long implant

Scenario 4: use of short drill 3.8 / 4.3 and placement of a 6 mm long implant

